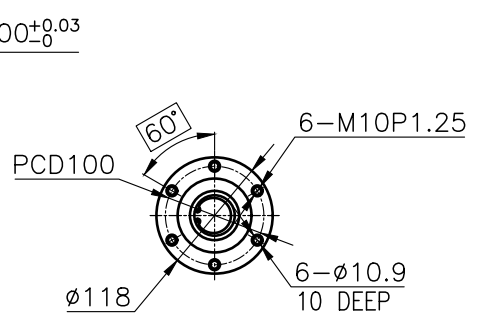
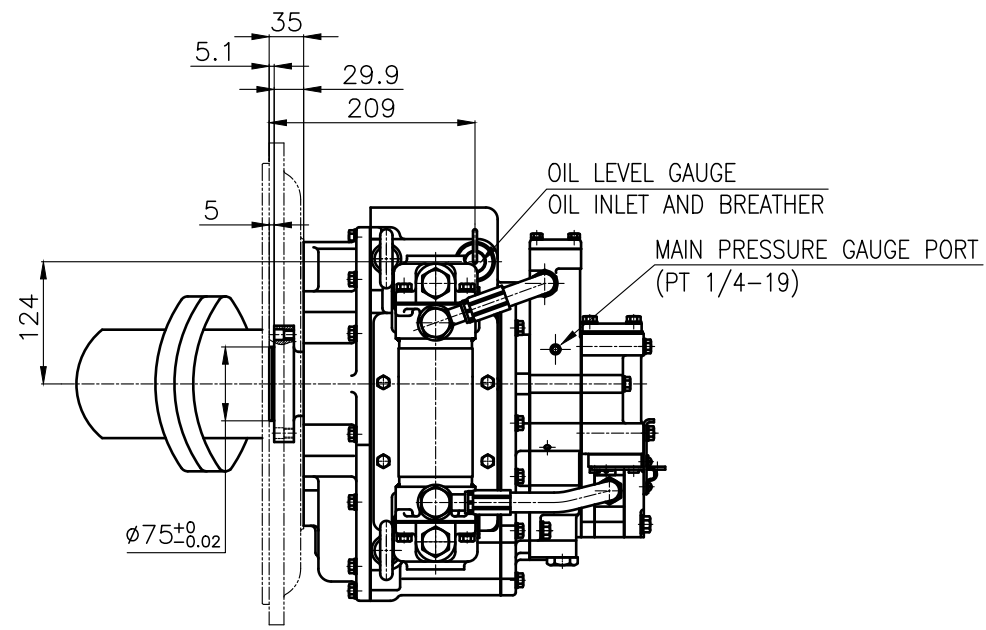


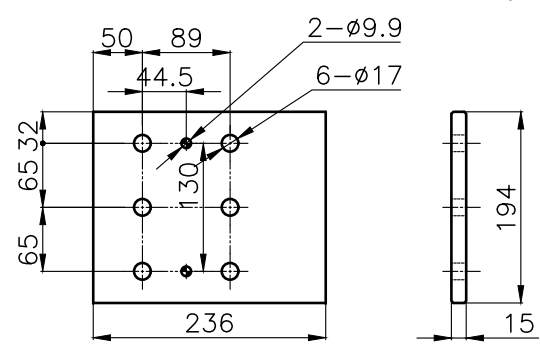
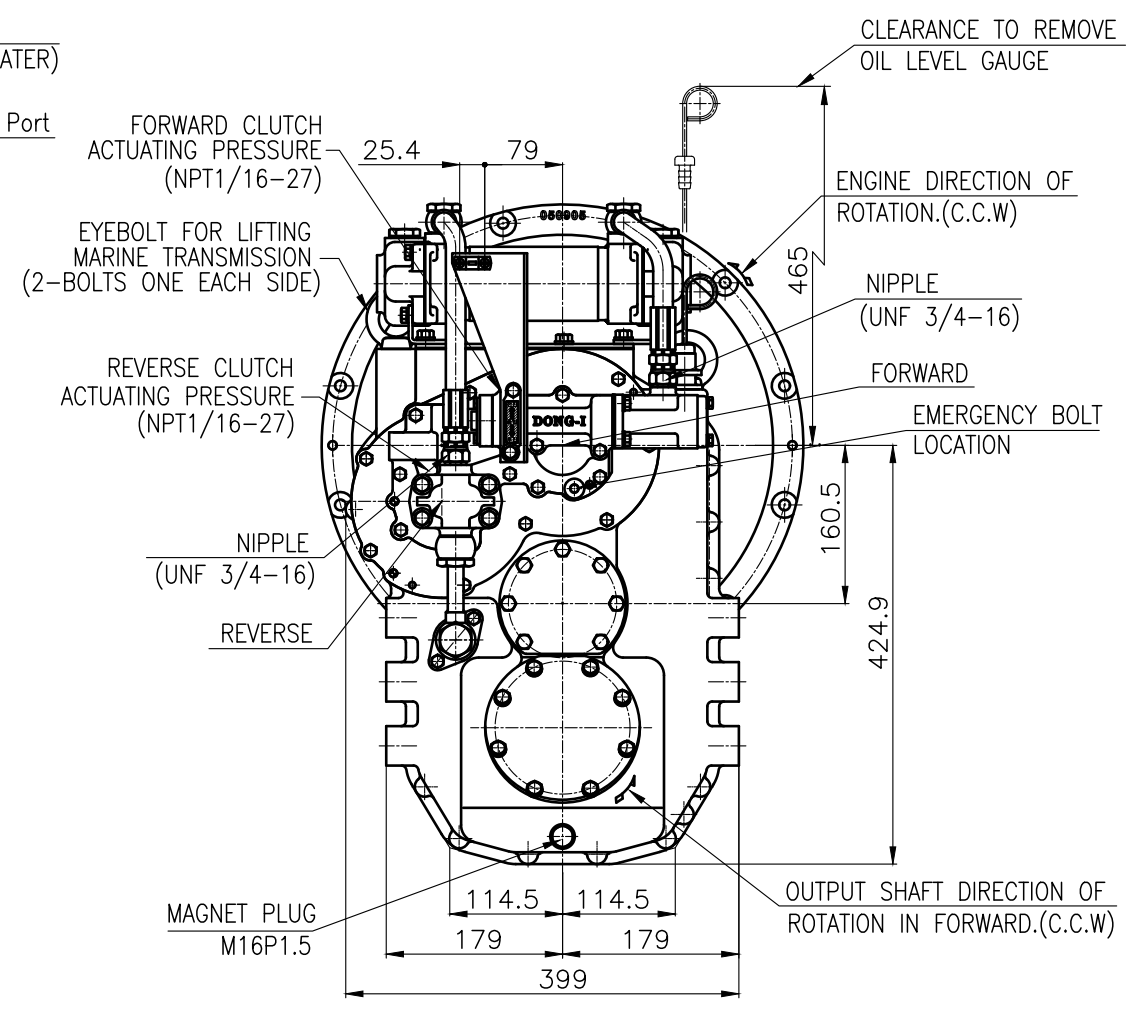
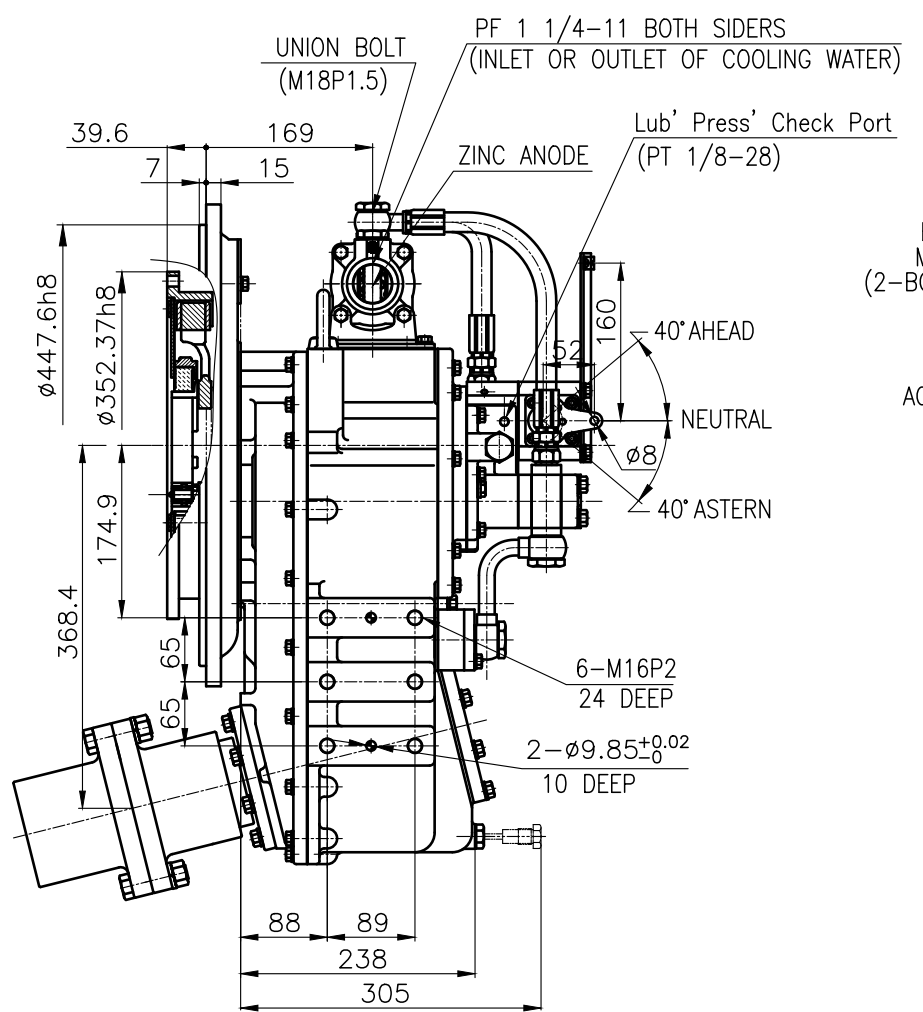
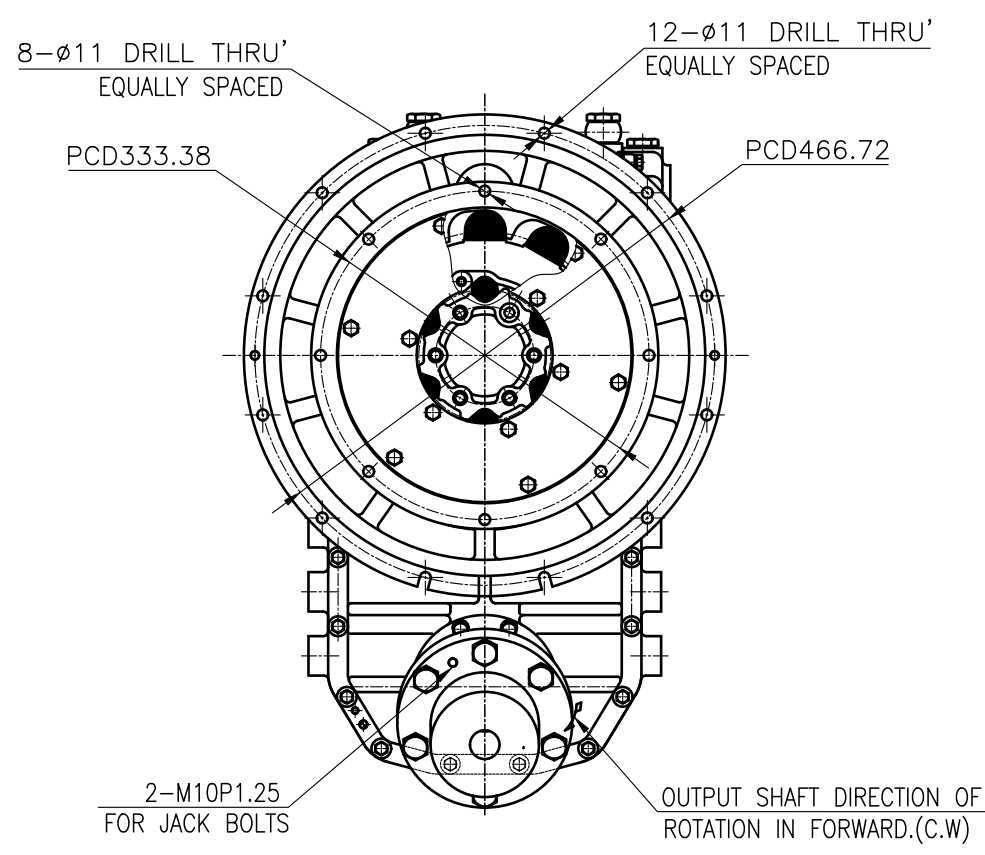
OUTPUT SHAFT COUPLING & PROPELLER COUPLING DIMENSION



INPUT COUPLING DIMENSION



DMT100IV MARINE TRANSMISSION SPECIFICATION	
GEAR RATIO	1.21, 1.54, 1.84, 2.12, 2.52
TOTAL WEIGHT	APPROX 150 kg(DRY)
OIL CAPACITY	APPROX. 7 L
OIL VISCOSITY	SAE # 30
OIL PRESSURE	1.961 ~ 2.353MPa CLUTCH OIL
DIRECTION OF ROTATION	INPUT C.C.W VIEWED FROM THE STERN
IN FORWARD	OUTPUT C.C.W VIEWED FROM THE STERN
OIL CHANGE INTERVAL	THE FIRST 100HOURS OF INITIAL OPERATION AND EVERY 1000HOURS THEREAFTER
SHIFTING LIMIT	UNDER 50% OF THE RATED ENGINE SPEED
OIL COOLER	WATER FLOW 40 ~ 60 L/min
	TEMPERATURE OF COOLING WATER MAX 32 °C
OPERATING TORQUE OF SHIFTING LEVER	UNDER 3 Nm



BRACKET DIMENSION

REMARK
 1.HOUSING: SAE#2
 2.DRIVING RING: SAE 11.5"
 3.COUPLING TYPE : DUAL STAGE

TOLERANCE ON				번호	품명	개수	재료	규격	비고
분수	소수	각도		NO.	PART NO.	Q'TY	MATERIAL	SIZE	REMARKS
±	±	±							
±	±	±							
검사기준				작성 DATE 2018.06.20		척도 SCALE N/S		형식 TYPE DMT100IV	
입구				승인 APPROVED BY JK.Kim		검토 CHECKED BY TH.Cha		품명 NAME MARINE TRANSMISSION	
1초과 4이하				도면 DWG. NO. V100000GE~GH-2115DC		작성 (REV.) 000		원도 번호 ORIGINAL DWG. NO.	
4				D-I INDUSTRIAL		크기 SIZE A 3		코드 번호 CODE ID. NO.	
16									
63									
250									
1000									